

## Single-Ended Beam



### FEATURES

- High side-load tolerance
- Electroless nickel-plated-alloy tool steel
- OIML C3 approval from 500kg to 2.5t

### DESCRIPTION

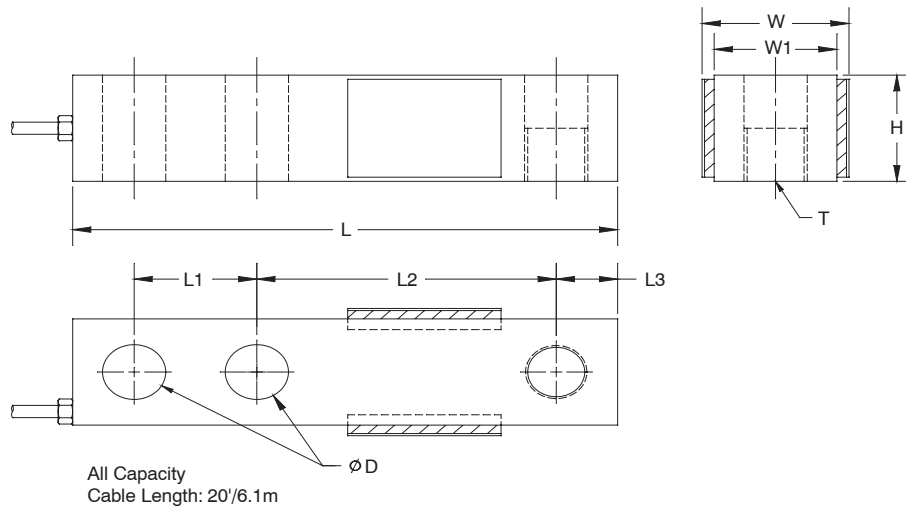
SEB is a single-ended shear beam load cell designed for multiple cell applications such as low profile platform or small tank scales when used with proper mounting accessories. It is insensitive to side loading and capable of reversed loading.

SEB is constructed of alloy steel and fully potted with special chemical compounds to IP67 to protect the cell from water and moisture damage.

### APPLICATIONS

- Truck/ Rail scales
- Silo/ Hopper/Tank weighing
- Platform scales (multiple load cells)
- Pallet truck scales
- Packaging machines

### OUTLINE DIMENSIONS



CAPACITY		L	L1	L2	L3	W	W1	H	D	T
500kg / 1t / 1.5t / 2t	mm	130.0	25.4	76.2	12.7	38.1	31.2	31.2	13.5	M12X1.75
	(inch)	5.12	1.00	3.00	0.50	1.50	1.25	1.25	0.53	
2.5t	mm	171.5	38.1	95.3	19.0	44.2	38.1	38.1	19.8	M20X1.5
	(inch)	6.75	1.50	3.75	0.75	1.74	1.50	1.50	0.78	



## SPECIFICATIONS

Standard Capacity	500kg, 1t, 1.5t, 2t, 2.5t	Compensated Temp. Range	- 10°C to + 40°C
Recommended Excitation	10 V AC/DC	Operating Temp. Range	- 20°C to + 60°C
Maximum Excitation	15 V AC/DC	Zero Balance	± 1%
Output at Rated Load	3 mV/V ± 0.25%	Input Resistance	385 ± 5Ω
Non Linearity	0.025%	Output Resistance	350 ± 3Ω
Hysteresis Error	0.025%	Insulation Resistance (50VDC)	>5000MΩ
Non Repeatability	0.02%	Deflection at Rated Load	<1mm
Creep (20 minutes)	0.02%	Safe Overload	150%
Zero Return (20 minutes)	0.02%	Ultimate Overload	300%
Temp. Effect/10°C on Span	0.0084%	Minimum Dead Load	1
Temp. Effect/10°C on Zero	0.014%	Vmin (%%)	1

All specifications listed subject to change without notice.

## VISHAY TRANSDUCERS (VT) SALES OFFICES

**VT Americas**  
Covina, CA

PH: +1-626-858-8899  
FAX: +1-626-332-3418  
vt.us@vishaymg.com

**VMG France**  
Chartres

PH: +33-2-37-33-31-20  
FAX: +33-2-37-33-31-29  
vt.fr@vishaymg.com

**VT Canada**  
Toronto

PH: +1-416-251-2554  
FAX: +1-416-251-2690  
vt.can@vishaymg.com

**VMG Iberica**  
Madrid

PH: +34-91-7218890  
FAX: +34-91-7219056  
vt.es@vishaymg.com

**VMG UK**  
Basingstoke

PH: +44-125-646-2131  
FAX: +44-125-647-1441  
vt.uk@vishaymg.com

**VMG Israel**  
Netanya

PH: +972-9-863-8888  
FAX: +972-9-863-8800  
vt.il@vishaymg.com

**VT Sweden**  
Karlskoga

PH: +46-586-630-00  
FAX: +46-586-630-99  
vt.se@vishaymg.com

**VT China**  
Tianjin

PH: +86-22-2835-3503  
FAX: +86-22-2835-7261  
vt.prc@vishaymg.com

**VMG Germany**  
Heilbronn

PH: +49-7131-3901-260  
FAX: +49-7131-3901-2666  
vt.de@vishaymg.com

**VT Taiwan\***  
Taipei

PH: +886-2-2696-0168  
FAX: +886-2-2696-4965  
vt.roc@vishaymg.com  
\*Asia except China